



COOLEGE LUMINOUS CEILINGS CUSTOM LUMINAIRE GUIDE

PROJECT		REFERENCE TYPE	
SPECIFIED BY		QUANTITY	
DATE		NOTE	Luminous Ceilings

DESCRIPTION

Cooledge Custom Luminaires enable the immersive illumination properties of our standard luminous ceiling products but with dimensions tailored to your exact requirements.

Features include exceptional acoustic performance, removable fabric, a range of light output options, as well as the possibility of changing the finish color or adding your own graphic images.



ILLUMINATION

CCT	<ul style="list-style-type: none"> • 2200K, 2700K, 3000K, 3500K, 4000K, 5700K • TNW = 2700K-5700K • DTW = 2200K-3500K • W+RGB
CRI (Ra)	>90
Color Uniformity (Typical)	2 SDCM
Lumen Maintenance (L80)	75,000 hr

Contact Cooledge for Ordering Information and Specific Details

GENERAL

Mounting Options	Suspended and Surface Mount – custom mounting configurations considered
Location	Indoor, dry location only
Operating Temperature	0 – 40°C (32 - 104°F)
Storage Temperature	-40 – +85°C (-40 - 185°F)
Relative Humidity	90% max (non-condensing)
Diffuser Material	Woven Polyester Fabric (coated)
Frame Material	Aluminum
Fire Rating	ASTM E84 Class A/EN:3501-1 Class B



RoHS

COOLEGE LUMINOUS CEILINGS CUSTOM LUMINAIRE GUIDE

PHOTOMETRICS

LIGHT OUTPUT

Flux – lm/sqft (lm/m ²)*			
Extra High Flux (XHF)	High Flux (HF)	Medium (MF)	Low Flux (LF)
600 (6400)	400 (4250)	200 (2050)	100 (1050)

*Approximate. Actual values may change based on luminaire size

TM-30-15 DATA

Index	TNW*	3000K	3500K	4000K
Rf	90	89	88	87
Rg	99	97	97	96

*TNW = Tunable White 2700K-5700K (both channels @50%)

For more details about color rendering properties, please see "Light Quality Metrics" at www.cooledgelighting.com

ACOUSTIC PERFORMANCE

Mounting Type	Noise Reduction Coefficient	Sound Absorption Average	Weighted Sound Absorption Coefficient (ISO EN11654)
	NRC	SAA	α_w
Suspended	0.90	0.91	0.90
Surface Mount	0.60	0.62	0.45 (M)

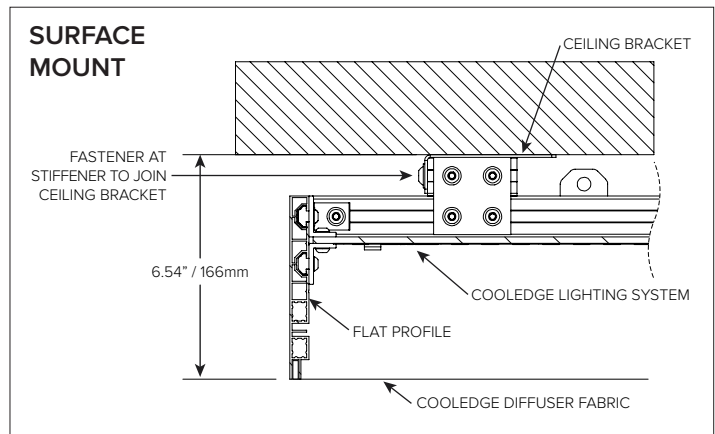
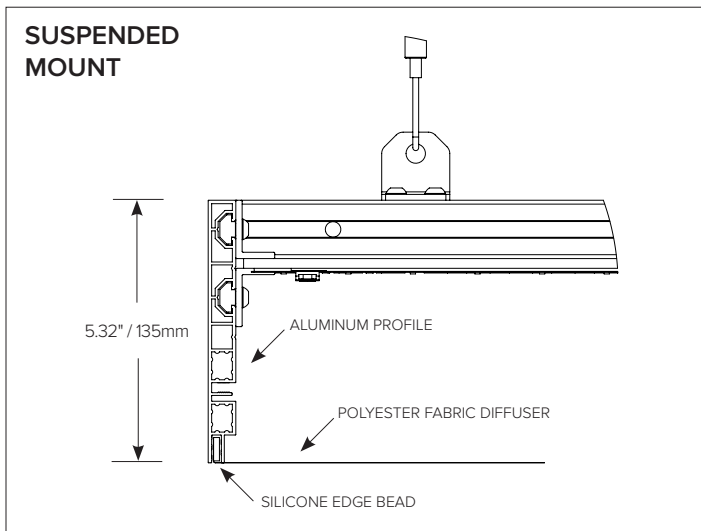
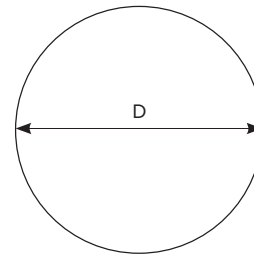
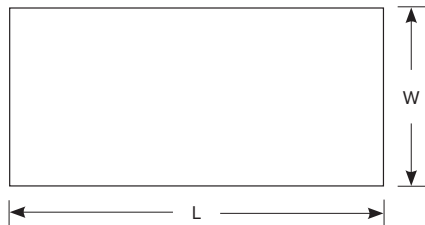
For luminaires that use standard FABRILum materials.

A full acoustic report is available at <https://www.cooledgelighting.com/acoustic-lighting#testreports>

DIMENSIONS (NOTE: CONTACT COOLEGE FOR OTHER SHAPES)

Dimension	Maximum	Minimum
Length (L)	118" (3000mm)	11.8" (300mm)
Width (W)	78.5" (1995mm)	6" (150mm)

Dimension	Maximum	Minimum
Diameter (D)	78.5" (1995mm)	30" (760mm)



ELECTRICAL & CONTROL

Electrical Performance		Controls	
Input Voltage	120-277 VAC	Minimum Dim Level – Single CCT	0.10%
Input Frequency	Nom. 50-60 Hz	Minimum Dim Level - Tunable	0.10%
Operating Frequency	3000-3950Hz (compliant with IEEE 1789-2015 for flicker free)	Control Protocols	0/1-10V, DMX, Wireless (Casambi), DALI
Start-up Time	1.0 sec		
Max. Inrush Current	35-75 A		
Rated Lifetime	60,000-70,000 hr		

CUSTOM DESIGN CHECKLIST

Dimensions - Rectangles

Length _____ (min. = 11.8"/300mm; max = 118"/3000mm)
 Width _____ (min. = 6"/150mm; max = 78.5"/1995mm)

Dimension – Circles

Diameter _____ (min. = 30"/760mm; max = 78.5"/1995mm)

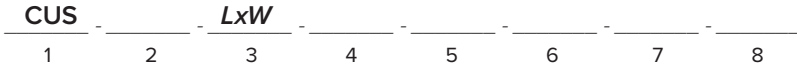
Mounting Type	Finish Color	Light Output	Color Temperature	Other
<input type="checkbox"/> Suspended	<input type="checkbox"/> Black	<input type="checkbox"/> XHF	<input type="checkbox"/> 2200K <input type="checkbox"/> TNW	<input type="checkbox"/> Custom Graphics
<input type="checkbox"/> Surface Mount	<input type="checkbox"/> White	<input type="checkbox"/> HF	<input type="checkbox"/> 2700K <input type="checkbox"/> DTW	<input type="checkbox"/> Other Shapes (Contact Cooledge)
	<input type="checkbox"/> Custom	<input type="checkbox"/> MF	<input type="checkbox"/> 3000K <input type="checkbox"/> W+RGB	
		<input type="checkbox"/> LF	<input type="checkbox"/> 3500K	
			<input type="checkbox"/> 4000K	
			<input type="checkbox"/> 5700K	

NOTE: All luminaires are compatible with 0-10V control protocol. Other options include DALI, DMX, and Casambi (wireless). Not all protocol options are available for all regions and configurations. Please contact Cooledge for details.

COOLEGE LUMINOUS CEILINGS
CUSTOM LUMINAIRE GUIDE

HOW TO SPECIFY

By definition, Cooledge Custom Luminaires are custom products. The Specification Codes below are provided for use as simple references to Cooledge Custom Luminaires in specifications and/or construction documents. Specification Codes are NOT ordering codes. In order to receive quotations or purchase these products from Cooledge, specific design details are required, and Cooledge may request additional project or site information before issuing a quotation or accepting a purchase order.



- | | | | | | | | |
|--|--|---|--|--|---|---|---|
| <p>1 PRODUCT
CUS = Custom Luminaire</p> | <p>2 SHAPE
REC = Rectangle
CIR = Circle
BLN = Bullnose
CRV = Curved Corners
IRR = Irregular</p> | <p>3 DIMENSIONS
Nominal Length x Nominal Width (enter values with units)</p> | <p>4 MOUNTING
SU = Suspended
SM = Surface Mt.
NS = Non-Standard</p> | <p>5 FLUX
XHF = Extra High Flux
HF = High Flux
MF = Medium Flux
LF = Low Flux</p> | <p>6 CCT
27 = 2700K
30 = 3000K
35 = 3500K
40 = 4000K
57 = 5700K
TNW = Tunable White
DTW = Dim To Warm
W+RGB = White + Red Green Blue</p> | <p>7 FINISH
B = Black
W = White
C = Custom</p> | <p>8 CONTROL
010 = 0-10V
DAL = DALI
DMX = DMX
CAS = Casambi (Wireless)</p> |
|--|--|---|--|--|---|---|---|

Use the space below to add details that Cooledge will need to know in order to provide a quotation such as irregular shape, custom graphics, non-standard mounting type, custom finish color, etc.

Additional Information